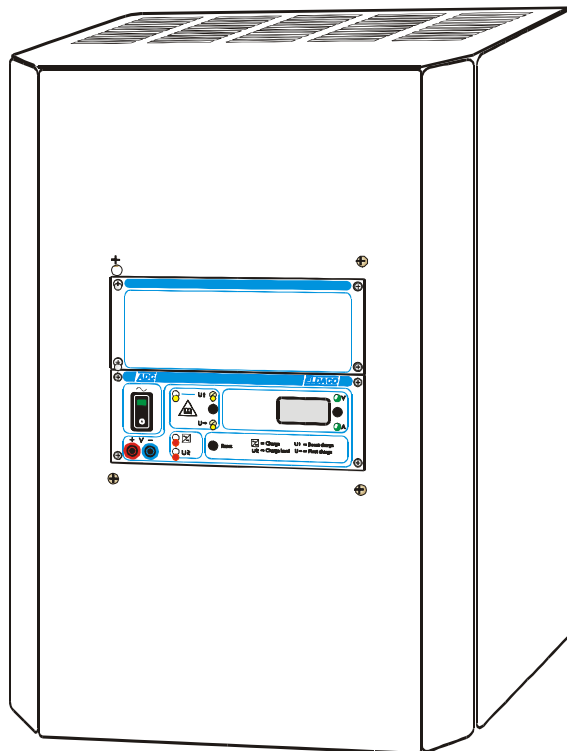


Description ADC 1000-1600W wall-mounted (eng.)		Doc.no. MA0175	Rev.no. 3
Designed by Håkan Lundh	Approved by Sören Hartvik	Page 1 of 26	Date 2002-12-04

Constant voltage rectifier ADC 1000-1600W wall-mounted



Description ADC 1000-1600W wall-mounted (eng.)		Doc.no. MA0175	Rev.no. 3
Designed by Håkan Lundh	Approved by Sören Hartvik	Page 2 of 26	Date 2002-12-04

Table of contents

Page

Presentation.....	3
Mounting.....	4
Standard connection.....	4-7
Monitor unit CL 30 connection (option).....	8
Monitor unit CL 40 connection (option).....	8-9
Start-up.....	10-11
Standard adjusting instruction.....	12
Monitor unit CL 30 adjusting instruction (option).....	13-14
Monitor unit CL 40 adjusting instruction (option).....	15-16
Temperature compensation.....	17
Parallel operation.....	17
Remote sensing.....	18
Time delay and block settings.....	19
Standard monitoring.....	20
CL 30 monitoring (option).....	21
CL 40 monitoring (option).....	21
Trouble shooting.....	22
Technical data.....	23-26
Circuit diagram:	
ADC 1000W wall 12-24V.....	3E 9354
ADC 1000W wall 48-120V.....	3E 9355
ADC 1000W wall 220V.....	3E 9681
ADC 1600W wall 12-48V.....	3E 8666
ADC 1600W wall 110V.....	3E 8629
ADC 1600W wall 220V.....	3E 9799
Mounting drawing:	
ADC 1000/1600W.....	4M 9701

Specifications and information herein are subjected to change without prior notice.

Description ADC 1000-1600W wall-mounted (eng.)		Doc.no. MA0175	Rev.no. 3
Designed by Håkan Lundh	Approved by Sören Hartvik	Page 3 of 26	Date 2002-12-04

Presentation

Constant voltage rectifier ADC 1000-1600W:

- Converts the mains' AC voltage to regulated DC voltage. The rectifier can be used for DC power supply or for operation together with batteries. All charge-, protection- and alarm levels are adjusted at the factory.
- Is designed for wall mounting. All connections are made to terminals located in the lower part of the unit. Everything that is needed during normal operation is easily accessible and visible on the frontpanel of the rectifier. Voltage and current are clearly shown on LCD-display. Selection is made with a push button for V (voltage) or A (ampere) and is indicated with LEDs.
- Gives an alarm at charge failure and high/low floating charge level.
- Operates at floating charge or equalization charge. The levels are adjusted at the factory, but can be readjusted with resp. potentiometer on the front. Equalization charge is indicated with a LED and is started with a push button. After a selectable time 2, 4, 8 or 24h the equalization charge will switch over to floating charge. The equalization charge can also be switched over manually to the floating charge level.
- Has temperature compensated of charging voltage to optimize the lifetime of the battery.
- Has semi-protected V-meter plugs.
- External voltage sensing (remote sensing) can be connected to compensate the voltage drop in battery cables.
- Can easily be equipped with a monitor unit CL 30 or CL 40 for additional monitoring. CL 30 gives the alarm for charge level high, charge level low, battery circuit fault and earth fault +/- . CL 40 contains, together with the above mentioned alarm, also separate alarm relays for each alarm and individual alarm delay for charge level high/low and earth fault +/- . Alarms are indicated with LEDs on the front.
- Has the possibility to connect several ADC rectifiers in parallel for higher output current.
- Fulfils the EMC and low voltage directive and is CE marked.

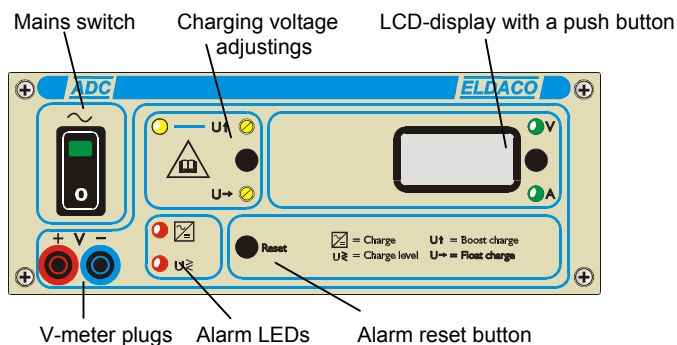


Figure 1. ADC standard

Description ADC 1000-1600W wall-mounted (eng.)		Doc.no. MA0175	Rev.no. 3
Designed by Håkan Lundh	Approved by Sören Hartvik	Page 4 of 26	Date 2002-12-04

Mounting

The rectifier should only be installed by experienced and qualified personnel as dangerous voltage may occur at the AC and the DC terminals. The rectifier is designed for indoor stationary wall mounting. Make sure that no heat radiant unit is mounted below the rectifier and that free circulation of cooling air is available.

For external dimensions and mounting holes, see mounting drawing 4M 9701.

Max. tightening moment for mounting screws: 1.5Nm.

All cable entries are made from below.

Before connecting the rectifier, carry out the following:

1. Check the outside and inside of the rectifier to make sure that there are no transportation damages.
2. Check that line- and battery voltage correspond to the type label of the rectifier.
3. Check that the mains switch is in position "0" (off).

Standard connection

Unscrew the locking screws on the front (a quarter of a turn anti-clockwise). The terminals are located in the lower part of the unit.

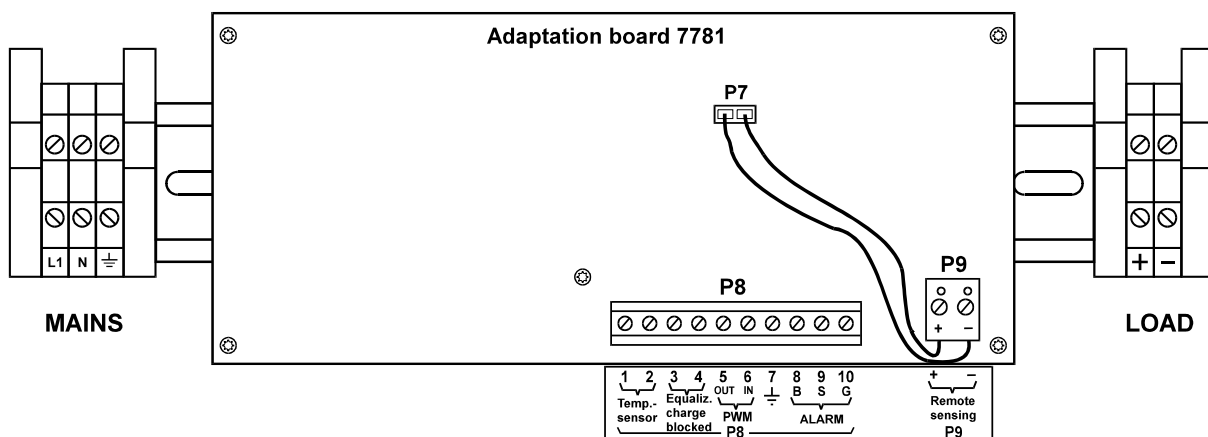


Figure 2. Connection terminals (B=Normally open, S=Normally closed, G=Common)

Description ADC 1000-1600W wall-mounted (eng.)		Doc.no. MA0175	Rev.no. 3
Designed by Håkan Lundh	Approved by Sören Hartvik	Page 5 of 26	Date 2002-12-04

cont. Standard connection

Mains: Connect the mains cable to the left terminal signed L1, N and \perp .
Recommended mains fuse is 10A.

Load: Check that the battery- and load fuses are removed. Connect the load (battery) to the rectifiers right terminal signed (+)/(-) (load output).

Remaining cable connections are done to the adaptation board 7781.

Temp.sensor: Temperature compensation of charging voltage is recommended if the battery system consists of lead-acid batteries.
Temp.compensation optimize the lifetime of the battery. Set the DIP-switch 6 on PCB 7781 to position "OFF", should be left in position "ON" if no temperature compensated charging is needed.
Open the enclosed temperaturesensor box and connect cables from the built-in sensor to terminals P8:1 and 2. Place the temp.sensor as closely as possible to the most central battery cell.

Equalization: charge At delivery the equalization charge is normally blocked and can not be started. If equalization charge is required, terminals P8:3 and 4 has to be short-circuited.

The duration for equalizing charge can be adjusted by the switch SW4 located at rear of the frontpanel PCB 7782, see below. The factory setting is set to 24h.

SW4:	2h	4h	8h	24h
1	ON	OFF	OFF	OFF
2	OFF	ON	OFF	OFF
3	OFF	OFF	ON	OFF

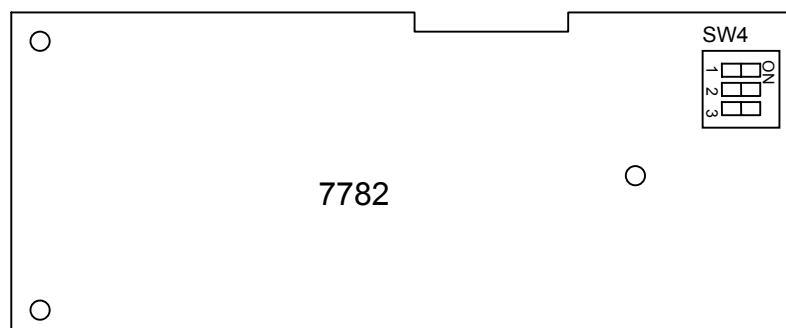


Figure 3. SW4

Description ADC 1000-1600W wall-mounted (eng.)		Doc.no. MA0175	Rev.no. 3
Designed by Håkan Lundh	Approved by Sören Hartvik	Page 6 of 26	Date 2002-12-04

cont. **Standard connection**

Parallel operation:

With rectifiers connected in parallel, choose one (arbitrary) rectifier as master and the remaining rectifiers as slaves.

Connect a cable from terminal P8:5 (PWM-out) on the chosen master to terminal P8:6 (PWM-in) on the slave. If more than 1 slave, connect cables from terminal P8:5 (PWM-out) on the 1:st slave to terminal P8:6 (PWM-in) on the 2:nd slave etc.

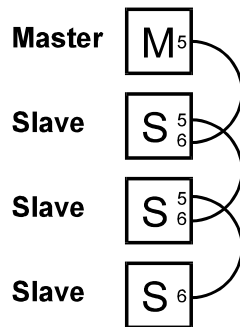


Figure 4. Parallel operation

Earth sensing:

Is used only if the rectifier consists of optional monitor unit CL 30 or CL 40. In standard configuration, the terminal P8:7 should be left open.

Description ADC 1000-1600W wall-mounted (eng.)		Doc.no. MA0175	Rev.no. 3
Designed by Håkan Lundh	Approved by Sören Hartvik	Page 7 of 26	Date 2002-12-04

cont. Standard connection

- Common alarm: relay** Connect alarm cable for floating charge level too high or low and charge failure alarm to terminals P8:8-10. At alarm, contact is obtained between terminals P8:9 and 10. Red LED for alarm present is lit. The LED can be blocked with the DIP-switch 2 on board 7781 (see "TIME DELAY AND BLOCK SETTINGS"). Normally, there is contact between terminals P8:8 and 10.
- Remote sensing:** If the voltage drop between the rectifier and the battery is large for example caused by long cables, remote sensing is recommended. Remove contact P7 on board 7781 and also remove the connected cables on terminal P9. It is very important that the contact P7 is removed first. Connect remote sensing cables from the battery distribution fuses to terminals P9:(+)/(-). It is important that connection is done right. (see figure 5). The voltage displayed (on the LCD-display) will then be the actual battery voltage. The battery voltage can also be measured on the front.

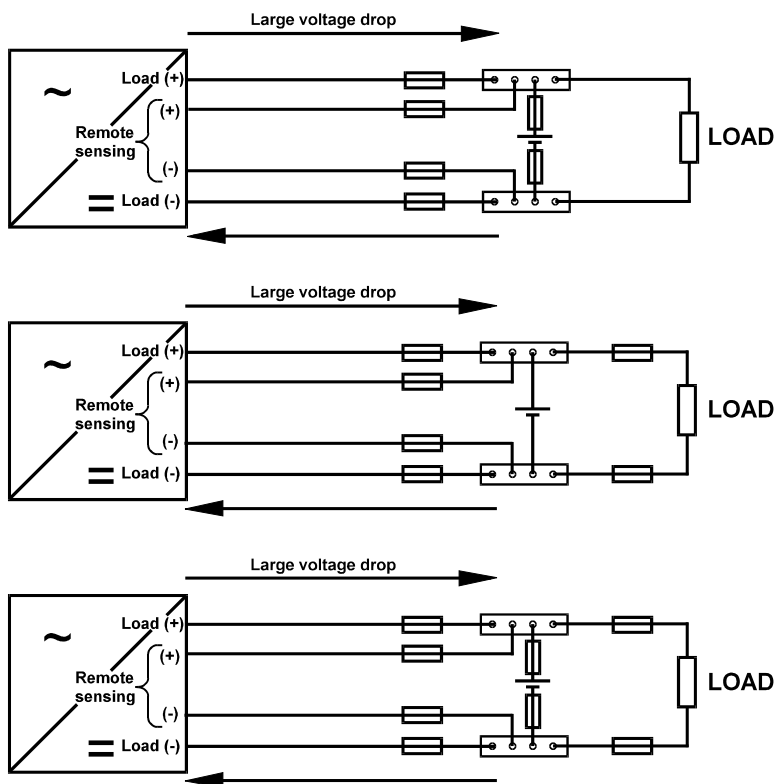


Figure 5. Remote sensing

Description ADC 1000-1600W wall-mounted (eng.)		Doc.no. MA0175	Rev.no. 3
Designed by Håkan Lundh	Approved by Sören Hartvik	Page 8 of 26	Date 2002-12-04

Monitor unit CL 30 connection (option)

If monitor unit CL 30 is not mounted at delivery:

Unscrew the four screws on the upper hatch cover and remove the cover.
Replace it with monitor unit CL 30. Connect a cable from CL 30 to terminal P2 on board 7781.

If monitor unit CL 30 is mounted at delivery:

Earth sensing: If earth sensing is required, connect earth sensing cable between terminal P8:7 on adaptation board 7781 and the mounting screw located at the lower right on the board.

Monitor unit CL 40 connection (option)

If monitor unit CL 40 is not mounted at delivery:

Unscrew the four screws on the upper hatch cover and remove the cover.
Replace it with monitor unit CL 40. Connect a cable from CL 40 to terminal P2 on board 7781. Unscrew the screw located in the upper left-hand corner together with the centre screw on board 7781 (see figure 6) for mounting of board 7785. Put spreaders in the screw holes. Connect a cable between terminal P2 on board 7785 to terminal P3 on board 7781. Fastening board 7785.

If monitor unit CL 40 is mounted at delivery:

If the rectifier is completed with monitor unit CL 40, a relay board (7785) is mounted to the left on the adaptation board 7781.

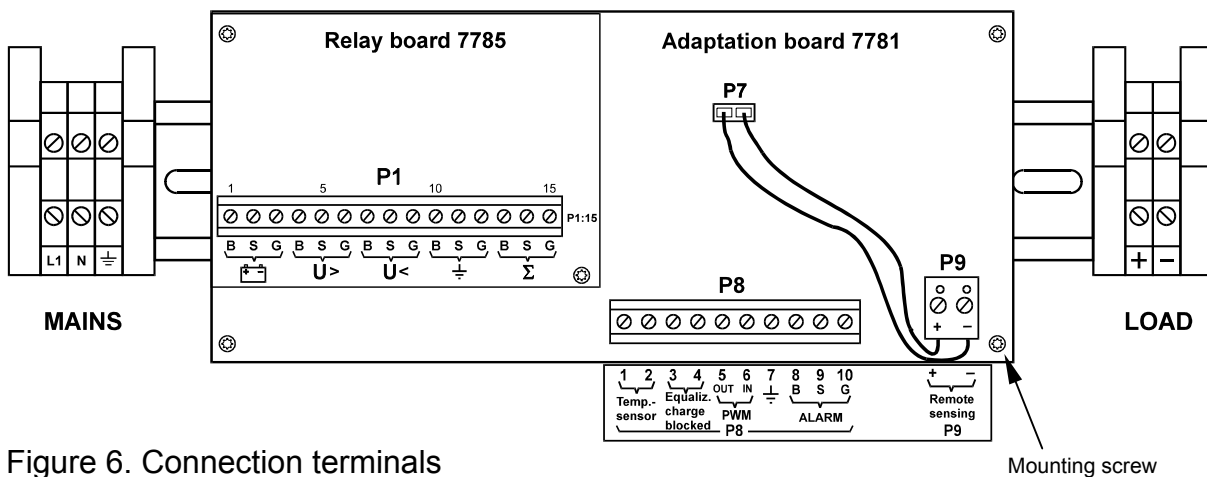


Figure 6. Connection terminals

Mounting screw

Description ADC 1000-1600W wall-mounted (eng.)		Doc.no. MA0175	Rev.no. 3
Designed by Håkan Lundh	Approved by Sören Hartvik	Page 9 of 26	Date 2002-12-04

cont. Monitor unit CL 40 connection (option)

Earth sensing: If earth sensing is required, connect earth sensing cable between terminal P8:7 on adaptation board 7781 and the mounting screw located at the lower right on the board.

Remaining cable connections are done to relay board 7785.

Battery circuit fault:



Connect alarm cable for battery circuit fault to terminals P1:1-3. At alarm, contact is obtained between terminals P1:2 and 3. Normally, there is contact between terminals P1:1 and 3. If no battery is used in the system, check that the DIP-switch 3 on board 7781 is set to position "ON" (see "TIME DELAY AND BLOCK SETTINGS").

Charge level high:



Connect alarm cable for charge level high to terminals P1:4-6. At alarm, contact is obtained between P1:5 and 6. Normally there is contact between P1:4 and 6.

Charge level low:



Connect alarm cable for charge level low to terminals P1:7-9. At alarm, contact is obtained between P1:8 and 9. Normally, there is contact between P1:7 and 9.

Earth fault:



Connect alarm cable for earth fault alarm to terminals P1:10-12. At alarm, contact is obtained between P1:11 and 12. Normally, there is contact between P1:10 and 12.

Common alarm:



Connect alarm cable for common alarm to terminals P1:13-15. At alarm, contact is obtained between P1:14 and 15. Normally, there is contact between P1:13 and 15.

Description ADC 1000-1600W wall-mounted (eng.)		Doc.no. MA0175	Rev.no. 3
Designed by Håkan Lundh	Approved by Sören Hartvik	Page 10 of 26	Date 2002-12-04

Start-up

All adjusting levels in this manual are valid, unless something else is mentioned.

Start: Check that the battery- and load fuses are removed. Switch on the rectifier with the mains switch to position "~".

Vented- and valve regulated lead-acid cells:

Floating charge: Connect a V-meter (class 0.2 or better) to the plugs on the frontpanel and check that the output voltage for floating charge corresponds to the battery supplier's recommendations. Adjust according to "STANDARD ADJUSTING INSTRUCTION" for floating charge ($U \rightarrow$), if necessary.

If vented lead-acid cells are used:

Equalization charge: Check the level for equalization charge. Start equalization charge see "STANDARD CONNECTION") by pushing the button for equalization charge for approx. 2sec. The yellow LED for equalization charge starts to flash. Check that the voltage level corresponds to the battery supplier's recommendations. Adjust according to "STANDARD ADJUSTING INSTRUCTION" for equalization charge ($U \uparrow$), if necessary.
After 2, 4, 8 or 24h, adjustable duration, the equalization charge will be switched over to floating charge and the LED for equalization charge goes out. The equalization charge voltage can be switched over manually to the floating charge level if start button for equalization charge is pushed one more time.

Charging of battery:

Connect the load- and battery fuses. The current increases towards current limit (if the battery is discharged) and the voltage level increases slowly towards the floating charge level. Check the current by pushing the button on the right side of the display, so that the green LED (A) is lit.

When the battery has reached the adjusted floating charge level, the current starts to decline. Check the voltage level on the display and adjust if necessary. If temp.sensor is connected (at lead-acid battery), consider the temp.-compensation (see "STANDARD ADJUSTING INSTRUCTION").

Description ADC 1000-1600W wall-mounted (eng.)		Doc.no. MA0175	Rev.no. 3
Designed by Håkan Lundh	Approved by Sören Hartvik	Page 11 of 26	Date 2002-12-04

cont. Start-up

If the battery consists of vented lead-acid cells, push the start button (see "STANDARD CONNECTION") for equalization charge. The current increases to current limit and the voltage level increases slowly towards the preset equalization charge level. When the current starts to decline, check the equalization charge level and adjust if necessary.

After 2, 4, 8 or 24h, adjustable duration, the rectifier will be switched over to the floating charge level and the LED for equalization charge goes out.

If return to floating charge is required earlier, push the start button for equalization charge one more time.

Description ADC 1000-1600W wall-mounted (eng.)		Doc.no. MA0175	Rev.no. 3
Designed by Håkan Lundh	Approved by Sören Hartvik	Page 12 of 26	Date 2002-12-04

Standard adjusting instruction

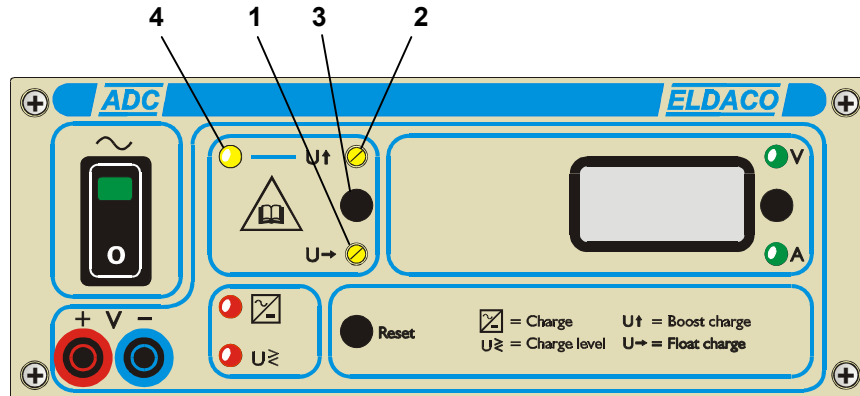


Figure 7. Adjustment of charging voltages

Push the instrument button next to the display for voltage reading. The green LED for V (voltage) is lit.

- 1. Adjustment of floating charge (U →):** Connect a V-meter (class 0.2 or better) to the plugs on the frontpanel and check that the voltage level for floating charge corresponds to the battery supplier's recommendations. If not, remove load- and battery fuses. Only if the system consists of lead-acid batteries, a temp.sensor is needed. Set the DIP-switch 6 on adaptation board 7781 to position "ON" (see "TIME DELAY AND BLOCK SETTINGS") and remove the external temp.sensor. Adjust the level with the potentiometer (1). For range of adjustment, see technical data. Turning clockwise gives higher voltage. If temp.sensor is connected (when lead-acid battery is used), reset the DIP-switch 6 to position "OFF" after finished adjustment.
- 2. Adjustment of equalization charge (U ↑):** Can only be started if the terminals for equalization charge are short-circuited (see "STANDARD CONNECTION"). Push the start button (for approx. 2sec.) for equalization charge (3). The yellow LED starts to flash. Check on the display that the voltage level for equalization charge corresponds to the battery supplier's recommendations. If not, remove load- and battery fuses and adjust the level with the potentiometer (2). For range of adjustment, see technical data. Turning clockwise gives higher voltage.
- 3. Start button for equalization charge (3):** After 2, 4, 8 or 24h, adjustable duration, the equalization charge will switch over to floating charge. This is to prevent overcharging of battery. For manually return to floating charge, push the button one more time.
- 4. Yellow LED for equalization charge (4):** Flashes as long as the rectifier is operating on equalization charge.

Description ADC 1000-1600W wall-mounted (eng.)		Doc.no. MA0175	Rev.no. 3
Designed by Håkan Lundh	Approved by Sören Hartvik	Page 13 of 26	Date 2002-12-04

Monitor unit CL 30 adjusting instruction (option)

The rectifier can, as an option, be equipped with a monitor unit CL 30. CL 30 operates together with the standard frontpanel and gives the alarm for charge level high, charge level low, battery circuit fault and earth fault +/- . Alarms are indicated with LEDs on the front and is connected to the common alarm relay in the rectifier. The voltage alarm levels are easy to set, since this levels are shown on the display. The earth fault alarm is set with a scale potentiometer.

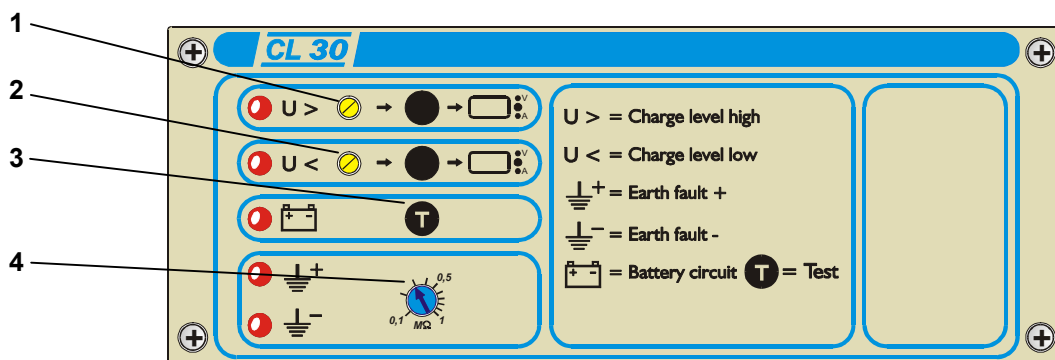


Figure 8. Adjustment of alarm levels

- 1. Adjustment of charge level high (U>):** Is adjusted for alarm at 2.33V/cell (if nothing else has been specified). Adjustable between 110-130% of the nominal voltage.
Push the button for charge level high. The display shows the level set for charge level high. Keep the button pressed and slowly adjust the alarm level with the potentiometer (1) to desired level. At alarm, the red LED for charge level high flashes.
If the alarm level is set too low, the alarm is activated at equalization charge. If the level is set too high the load can be damaged.
- 2. Adjustment of charge level low (U<):** Is adjusted for alarm at 95% of the nominal voltage (if nothing else has been specified). Adjustable between 90-110% of the nominal voltage.
Push the button for charge level low. The display shows the level set for charge level low. Keep the button pressed and slowly adjust the alarm level with the potentiometer (2) to desired level. At alarm the red LED for charge level low flashes.
If the alarm level is set too low, the battery can be damaged. If the level is set too high, a false alarm may occur.

Description ADC 1000-1600W wall-mounted (eng.)		Doc.no. MA0175	Rev.no. 3
Designed by Håkan Lundh	Approved by Sören Hartvik	Page 14 of 26	Date 2002-12-04

cont. Monitor unit CL 30 adjusting instruction (option)

3. **Battery circuit fault alarm:** Is adjusted to 1.96V/cell. Test occurs once/24h. The level is adjusted at the factory and can not be adjusted. If there is an interruption in the battery circuit during test, the common alarm relay in the rectifier will drop after adjusted time delay and the red LED for battery circuit fault will flash.
The battery circuit can also be tested manually by pushing the TEST-button (3). If the LED remains off, the battery circuit is OK.

4. **Adjustment of earth fault alarm (+/-):** Is adjusted for alarm at 0.5M Ω . Can be adjusted between 0.1-1M Ω with the potentiometer (4) (scale-potentiometer). At alarm the red LED for earth fault (+) resp. earth fault (-) flashes.

Description ADC 1000-1600W wall-mounted (eng.)		Doc.no. MA0175	Rev.no. 3
Designed by Håkan Lundh	Approved by Sören Hartvik	Page 15 of 26	Date 2002-12-04

Monitor unit CL 40 adjusting instruction (option)

The rectifier can, as an option, be equipped with a monitor unit CL 40. CL 40 operates together with the standard frontpanel and gives the alarm for charge level high, charge level low, battery circuit fault and earth fault +/- . CL 40 has individual time delayed alarm relays for each alarm. Alarms are indicated with LEDs on the front and is connected to the individual alarm relay and the common relay. The voltage alarm levels are easy to set, since this levels are shown on the display. The earth fault alarm and time delays for alarms are set with scale potentiometers.

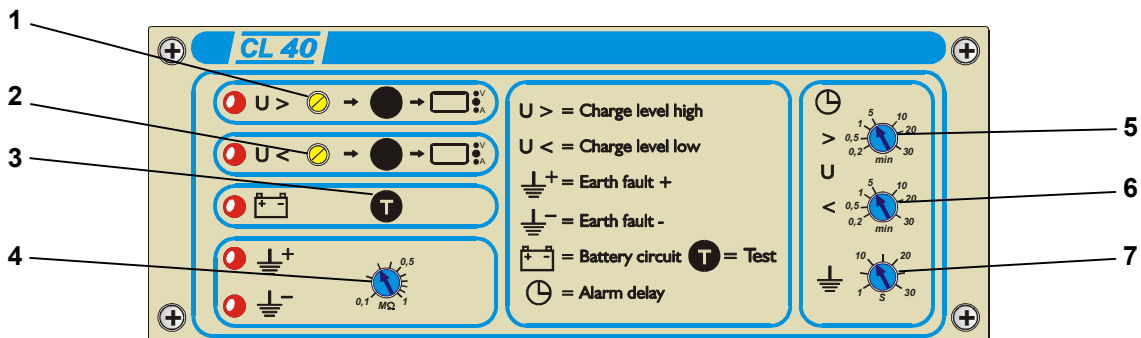


Figure 9. Adjustment of alarm levels

- 1. Adjustment of charge level high (U>):** Is adjusted for alarm at 2.33V/cell (if nothing else has been specified). Adjustable between 110-130% of the nominal voltage.

Push the button for charge level high. The display shows the level set for charge level high. Keep the button pressed and slowly adjust the alarm level with the potentiometer (1) to desired level. After time delay (adjustable between 10s-30min with the potentiometer (5)) the relay for charge level high, and the common relay drop. After that the red LED for charge level high flashes.

If the alarm level is set too low, the alarm is activated at equalization charge. If the level is set too high the load can be damaged.
- 2. Adjustment of charge level low (U<):** Is adjusted for alarm at 95% of the nominal voltage (if nothing else has been specified). Adjustable between 90-110% of the nominal voltage.

Push the button for charge level low. The display shows the level set for charge level low. Keep the button pressed and slowly adjust the alarm level with the potentiometer (2) to desired level. After time delay (adjustable between 10s-30min with the potentiometer (6)) the relay for charge level low, and the common relay drop. After that the red LED for charge level low flashes.

If the alarm level is set too low, the battery can be damaged. If the level is set too high, a false alarm may occur.

Description ADC 1000-1600W wall-mounted (eng.)		Doc.no. MA0175	Rev.no. 3
Designed by Håkan Lundh	Approved by Sören Hartvik	Page 16 of 26	Date 2002-12-04

cont. **Monitor unit CL 40 adjusting instruction (option)**

3. **Battery circuit fault alarm:** Is adjusted to 1.96V/cell. Test occurs once/24h. The level is adjusted at the factory and can not be adjusted. If there is an interruption in the battery circuit during test, the alarm relay will drop without any further time delay and the red LED for battery circuit fault will flash.
The battery circuit can also be tested manually by pushing the TEST-button (3). If the LED remains off, the battery circuit is OK.
4. **Adjustment of earth fault alarm (+/-):** Is adjusted for alarm at 0.5M Ω . Can be adjusted between 0.1-1M Ω with the potentiometer (4) (scale-potentiometer). After time delay (adjustable between 1s-30s with the potentiometer (7)) the red LED for earth fault (+) resp. earth fault (-) flashes.
5. **Adjustment of time delay for charge level high:** The time delay of the relay function can be adjusted between 10s-30min with the potentiometer (5). Is adjusted to 10s (if nothing else has been specified).
6. **Adjustment of time delay for charge level low:** The time delay of the relay function can be adjusted between 10s-30min with the potentiometer (6). Is adjusted 10s (if nothing else has been specified).
7. **Adjustment of time delay for earth fault:** The time delay of the relay function can be adjusted between 1s-30s with the potentiometer (7). Is adjusted 10s (if nothing else has been specified).

Description ADC 1000-1600W wall-mounted (eng.)		Doc.no. MA0175	Rev.no. 3
Designed by Håkan Lundh	Approved by Sören Hartvik	Page 17 of 26	Date 2002-12-04

Temperature compensation

If the system consists of lead-acid batteries, a temperature compensation of the charging voltage is recommended. The temp.compensation is activated in the area +10 to +30°C.

The temperature is sensed by an external temp.sensor (enclosed in the rectifier), connected to the connection terminal of the rectifier and placed as closely as possible to the most central battery cell (see "STANDARD CONNECTION").

The charging voltage temp.compensates with -3.3mV/°C and cell when the temperature of the battery exceeds +20°C and with +3.3mV/°C and cell when the temperature falls below +20°C. At a temperature over +40°C or if the temp.sensor is short-circuit, the temp.compensation will be +30°C i.e. -33mV/cell. If there's an interruption in the temp.sensor or if the temperature is below -5°C, the temp.compensation will be +10°C, i.e. +33mV/cell. Floating charge level alarm is given in both cases. The use of temp.compensation optimize the lifetime of the battery.

At parallel operation the temp.sensor should only be connected to the master.

Parallel operation

The rectifier can be connected in parallel with one or more rectifier in the ADC-series. You can also connect rectifiers within different power classes in parallel, e.g. 1pcs. ADC 24/35 (1000W) and 1pcs. ADC 24/60 (1600W).

In parallel operation the rectifier which is set to master controls the rest of the rectifiers. To choose master/slave see "STANDARD CONNECTION". To adjust the systems charging voltage, you only have to adjust on the master. If you try to adjust the charging voltage on a slave, nothings happens because the master controls all of the slaves, even if the master is turned off. This holds for all adjustments of the charging voltage. This means activating equalization charge or to do a manual battery circuit test, has to be done on the master.

To avoid floating charge level alarm on the slaves, e.g. when equalization charging, the floating charge level alarm should be blocked on the slaves in parallel operation (see "TIME DELAY AND BLOCK SETTINGS").

If a slave is equipped with option CL30 or CL40 the battery circuit fault alarm should be blocked (see "TIME DELAY AND BLOCK SETTINGS"). This is because the master has to determine the interval between the battery circuit tests.

Description ADC 1000-1600W wall-mounted (eng.)		Doc.no. MA0175	Rev.no. 3
Designed by Håkan Lundh	Approved by Sören Hartvik	Page 18 of 26	Date 2002-12-04

Remote sensing

If the voltage drop between the rectifier and the battery is large for example caused by long cables, remote sensing is recommended.

Terminals for remote sensing are placed on the rectifier output (see figure 2).

At installation, cables are connected from these terminals to contact P7 on adaptation board 7781.

If remote sensing is required, remove contact P7 and also remove the connected

cables on terminal P9. It is very important that the contact P7 is removed first.

Connect remote sensing cables from the battery distribution fuses to terminals P9:(+)/(-). This means that the charging voltage on the rectifiers output becomes higher and correct battery voltage will be obtained. Maximal compensation is +3% of adjusted floating charge. If there is an interruption in the remote sensing cables, the charging voltage will automatically be adjusted on the rectifiers output to 3% over adjusted floating charge and gives an alarm for floating charge level.

In parallel operation the remote sensing should only be connected to the master.

Description ADC 1000-1600W wall-mounted (eng.)		Doc.no. MA0175	Rev.no. 3
Designed by Håkan Lundh	Approved by Sören Hartvik	Page 19 of 26	Date 2002-12-04

Time delay and block settings

There are six DIP-switches for time delay and block settings placed on adaptation board 7781 (see figure 10).

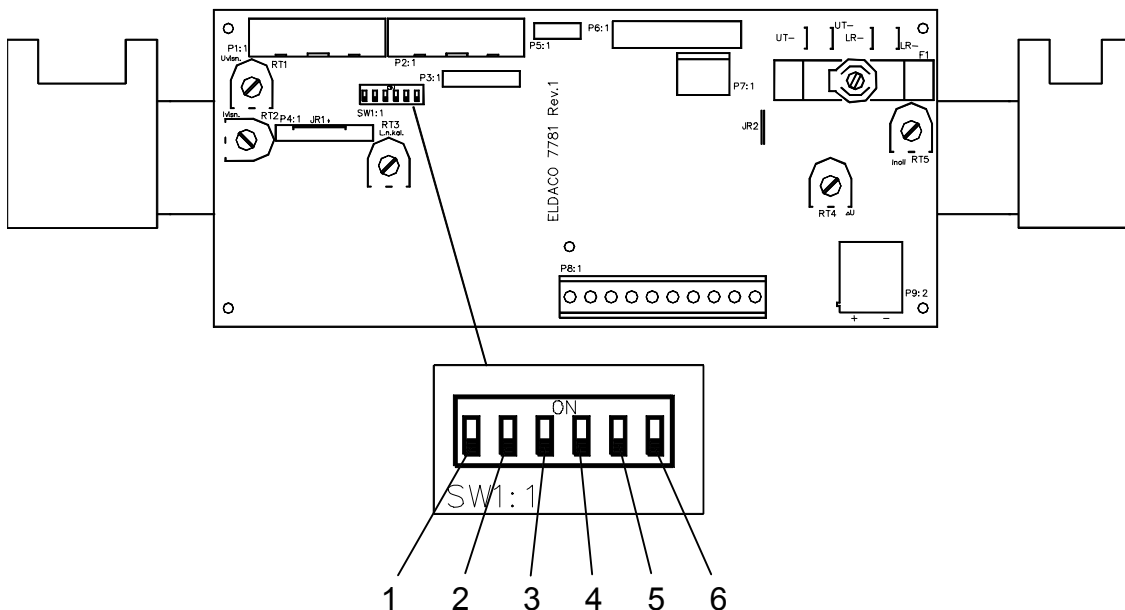


Figure 10. SW1

1. **Switch for alarm delay of common alarm relay:** Can be set to 10s (pos. "ON") or 10min (pos. "OFF"). Factory setting is pos. "ON".
2. **Switch for blocking of LEDs:** Set to pos. "ON" if the alarm LED is to go out without resetting of the alarms. Factory setting is pos. "OFF".
3. **Switch for blocking of battery circuit fault alarm:** Set to pos. "ON" to block the battery circuit fault alarm. Factory setting is pos. "OFF".
4. **Switch for blocking of charge failure alarm:** Set to pos. "OFF" to block the mains failure and rectifier failure. Factory setting is pos. "ON".
5. **Switch for blocking of floating charge level too high or low alarm:** Set to pos. "OFF" to block the floating charge level too high or low and/or temp.sensor failure and DC fuse failure alarm. Factory setting is pos. "ON".
6. **Switch for blocking of temp.compensation:** Set to pos. "ON" if no temp.sensor is connected. Factory setting is pos. "ON".

CL 30/CL 40: The alarm for high and low charging voltage is blocked by turning resp. alarm potentiometer to the maximum. Turn the alarm potentiometer for charge level high max clockwise and the alarm potentiometer for charge level low max anti-clockwise.

Description ADC 1000-1600W wall-mounted (eng.)		Doc.no. MA0175	Rev.no. 3
Designed by Håkan Lundh	Approved by Sören Hartvik	Page 20 of 26	Date 2002-12-04

Standard monitoring

The rectifier for gives the alarm at charge failure and floating charge level too high or low. The alarms are indicated with LEDs on the front and by a common alarm relay.

Charge failure gives the alarm for:

- Mains failure
- Rectifier failure

Floating charge level too high or low gives the alarm for:

- Fuse failure DC
- Incorrect charging voltage
- Temp.sensor failure
- External voltage sensing fault

Indication:

Mains failure is indicated when there is no mains voltage.

Rectifier failure is indicated if the main circuit of the rectifier is faulty, at regulation fault or when the over-voltage protection is activated.

Fuse failure is indicated when an DC fuse in the rectifier has blown.

Incorrect floating charge voltage is indicated at $\pm 2\%$ from the floating charge voltage level set at 20°C.

Temp.sensor failure is indicated when the temperature falls below -5°C or exceeds +40°C.

External voltage sensing fault is indicated at remote sensing fault.

Function:

In the event of fault the resp. LED for charge failure and floating charge level too high or low alarm will flash. After the time delay (selected by the DIP-switch 1 on board 7781 to 10s or 10min, see "TIME DELAY AND BLOCK SETTINGS") the charge failure relay drops and the LED flashes.

After reset the LED will continue to flash if the fault remains. When the fault disappears the relay is energized again and the LED continues to flash until the next reset. Blocking of LEDs can be selected by the DIP-switch 2 on board 7781 (see "TIME DELAY AND BLOCK SETTINGS"). The DIP-switch 2 is common to both LEDs.

Description ADC 1000-1600W wall-mounted (eng.)		Doc.no. MA0175	Rev.no. 3
Designed by Håkan Lundh	Approved by Sören Hartvik	Page 21 of 26	Date 2002-12-04

CL 30 monitoring (option)

If the rectifier is equipped with CL 30 the following alarm also obtains:

- Charge level high
- Charge level low
- Battery circuit fault
- Earth fault +/-

Function:

In the event of fault the resp. red LED will flash. Each alarm follows selected time delay (10s or 10min) for the standard relay. After the time delay the relay (the same relay as standard) drops and the LED flashes. After reset the LED will continue to flash if the fault remains. When the fault disappears the relay is energized again and the LED continues to flash until the next reset. Blocking of LEDs can be selected by the DIP-switch 2 on board 7781 (see "TIME DELAY AND BLOCK SETTINGS"). The DIP-switch 2 is common to all LEDs.

CL 40 monitoring (option)

If the rectifier is equipped with CL 40 the following alarm and individual time delays also obtains:

- Charge level high (time delay 10s-30min)
- Charge level low (time delay 10s-30min)
- Battery circuit fault
- Earth fault +/- (time delay 1s-30s)

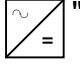
Function:

CL 40 has four separate relays and a common relay. At charge level high, charge level low, battery circuit and earthfault the resp. red LED will flash. After the time delay, the relay in question drops, as well as the common relay. The time delays are adjustable independent of each other. Therefore the common alarm will drop after various time delay depending on which fault that has occurred. After reset the LED will continue to flash if the fault remains. When the fault disappears the relay is energized again and the LED continues to flash until the next reset. Blocking of LEDs can be selected by the DIP-switch 2 on board 7781 (see "TIME DELAY AND BLOCK SETTINGS"). The DIP-switch 2 is common to all LEDs.

The common alarm relay in the rectifier is connected to the common relay in the CL40. I.e. when a charge failure alarm or a floating charge level alarm occurs, the common relay both in the rectifier and in the CL40 drops. If any of the alarms in the CL40 occurs, and non of the two a.m. alarms are active, only the common alarm relay in the CL40.

Description ADC 1000-1600W wall-mounted (eng.)		Doc.no. MA0175	Rev.no. 3
Designed by Håkan Lundh	Approved by Sören Hartvik	Page 22 of 26	Date 2002-12-04

Trouble shooting

Failure indication	Cause of failure	Measure
The LED for charge failure flashes. " 	1. Mains failure.	1. Check if mains is available and check the mains fuse.
	2. Charge failure.	2. Check the charging voltage, the rectifier may have detected a high voltage on the DC output. Try to reset the alarm by switching the rectifier "ON/OFF". If no output voltage is given from the rectifier, please contact the service department.
The LED for floating charge level too high or low flashes. "U _z "	1. Incorrect charging voltage.	1. The rectifier is running in current limit, this is alright if the battery is discharged and the rectifier is charging. Check that the load is not too high.
	2. Fuse failure DC.	2. Check the DC fuse F1 on PCB 7796.
	3. Temp. sensor failure.	3. Check the battery temperature, alarm is given at <-5°C and >+40°C. Check that the sensor isn't shorted or interrupted and correct connected, see "STANDARD CONNECTION".
	4. Fault in the remote sensing.	4. Check that the remote sensing cables are connected properly see "STANDARD CONNECTION". Check that the voltage drop between the rectifier output and the battery/load (where the remote sensing cables are connected) isn't more than 3% of adjusted floating charge. The rectifier can't compensate more than 3%.

Service department at Eldaco AB:

Tel: +46(0)8-623 95 00, Fax: +46(0)8-96 97 72, E-mail: power@eldaco.se

Description ADC 1000-1600W wall-mounted (eng.)		Doc.no. MA0175	Rev.no. 3
Designed by Håkan Lundh	Approved by Sören Hartvik	Page 23 of 26	Date 2002-12-04

Technical data

Input voltage	230V AC, $\pm 15\%$, 1-phase, 47-63Hz
Efficiency	80-90% at 230V AC input and maximum load
Power factor	>0.98 at 230V AC input and maximum load (except 12/35 and 12/80: >0.96)
Regulation	Static regulation, $<\pm 0.5\%$ at all operating conditions
Charging voltage levels	Adjustable 95-120% of U_{nom} Terminal for external voltage sensing (remote sensing) Temp.compensation of charging voltage
Equalization charge	Timer controlled function, with selectable time 2, 4, 8 or 24h. Can also be reset manually
Ripple voltage	Max 0.05% RMS of U_{nom} Psophometric max 1mV (12-24V), max 2mV (48-60V)
Instrument	Digital voltage and ampere meter (3½ digits LCD)
Safety	<ul style="list-style-type: none">- Safety circuits for high AC voltage and over heating- DC over-voltage protection (at approx. 125% of U_{nom})- Current limited (not the 1000W, only power limited)- Power limited- Short-circuit proof
Standard monitoring	<ul style="list-style-type: none">- Charge failure, indicates for<ul style="list-style-type: none">- Mains failure- Rectifier failure- Floating charge level too high or low alarm, indicates for<ul style="list-style-type: none">- Fuse failure DC- Incorrect charging voltage- Temp.sensor failure- External volt. sensing fault <p>Indication with LEDs on frontpanel and by a 1-polar switched relay. Maximum contact load: AC: 1200VA, 300V, 8A resistive load DC: 50W, 300V, 8A resistive load</p> <p>Time delay for alarm relay: 10s or 10min</p>

Description ADC 1000-1600W wall-mounted (eng.)		Doc.no. MA0175	Rev.no. 3
Designed by Håkan Lundh	Approved by Sören Hartvik	Page 24 of 26	Date 2002-12-04

cont. **Technical data**

Ambient temperature 0 to +40°C

Enclosing IP20

Colour RAL 7035

Standards

Emission	EN 50081-1, 50081-2 (110-220V: EN 50081-2)
Immunity	EN 50082-1, 50082-2 (110-220V: EN 50082-2)
Electrical safety	EN 60950
Harmonics	EN 61000-3-2

EMC and low voltage directive
CE marked

Terminals

AC terminal:	max 4mm ²
DC terminal:	max 25mm ²
Signal terminals:	max 2.5mm ²

CL 30, CL 40 monitoring (option)

- Gives the alarm for
 - Charge level high (U>)
 - Charge level low (U<)
 - Battery circuit fault
 - Earth fault +/-

CL 30: Indication with LEDs on frontpanel and by the same relay as the standard relay.
Time delay for alarm relay 10s or 10min

CL 40: CL 40 has four separate relays and a common relay. Indication with LEDs on frontpanel and by a common alarm relay.

Time delay for alarm relay
Voltage alarm adjustable between 10s-30min
Earth fault alarm adjustable between 1s-30s

Terminals max 2.5mm²

Max contact load: AC: 1200VA, 300V,
8A resistive load
DC: 50W, 300V,
8A resistive load

Description ADC 1000-1600W wall-mounted (eng.)		Doc.no. MA0175	Rev.no. 3
Designed by Håkan Lundh	Approved by Sören Hartvik	Page 25 of 26	Date 2002-12-04

cont. Technical data

Rectifier, output power, mains fuse, dimensions and weight

Rectifier	Power (W)	Mains fuse (A)	Dimensions (H×W×D)	Weight (Kg)
ADC 12/35	500	6	455×355×210	14
ADC 12/80	1200	10	455×355×210	16.5
ADC 24/35	1000	10	455×355×210	14
ADC 24/60	1600	10	455×355×210	17.5
ADC 48/20	1000	10	455×355×210	14
ADC 48/35	1600	10	455×355×210	17.5
ADC 60/15	1000	10	455×355×210	14
ADC 60/25	1600	10	455×355×210	17.5
ADC 110/10	1000	10	455×355×210	14
ADC 110/15	1600	10	455×355×210	16.5
ADC 120/9	1000	10	455×355×210	14
ADC 120/9	1000	10	455×355×210	16.5
ADC 220/5	1000	10	455×355×210	14
ADC 220/7.5	1600	10	455×355×210	16.5

Description ADC 1000-1600W wall-mounted (eng.)		Doc.no. MA0175	Rev.no. 3
Designed by Håkan Lundh	Approved by Sören Hartvik	Page 26 of 26	Date 2002-12-04

cont. Technical data

Range of adjustment

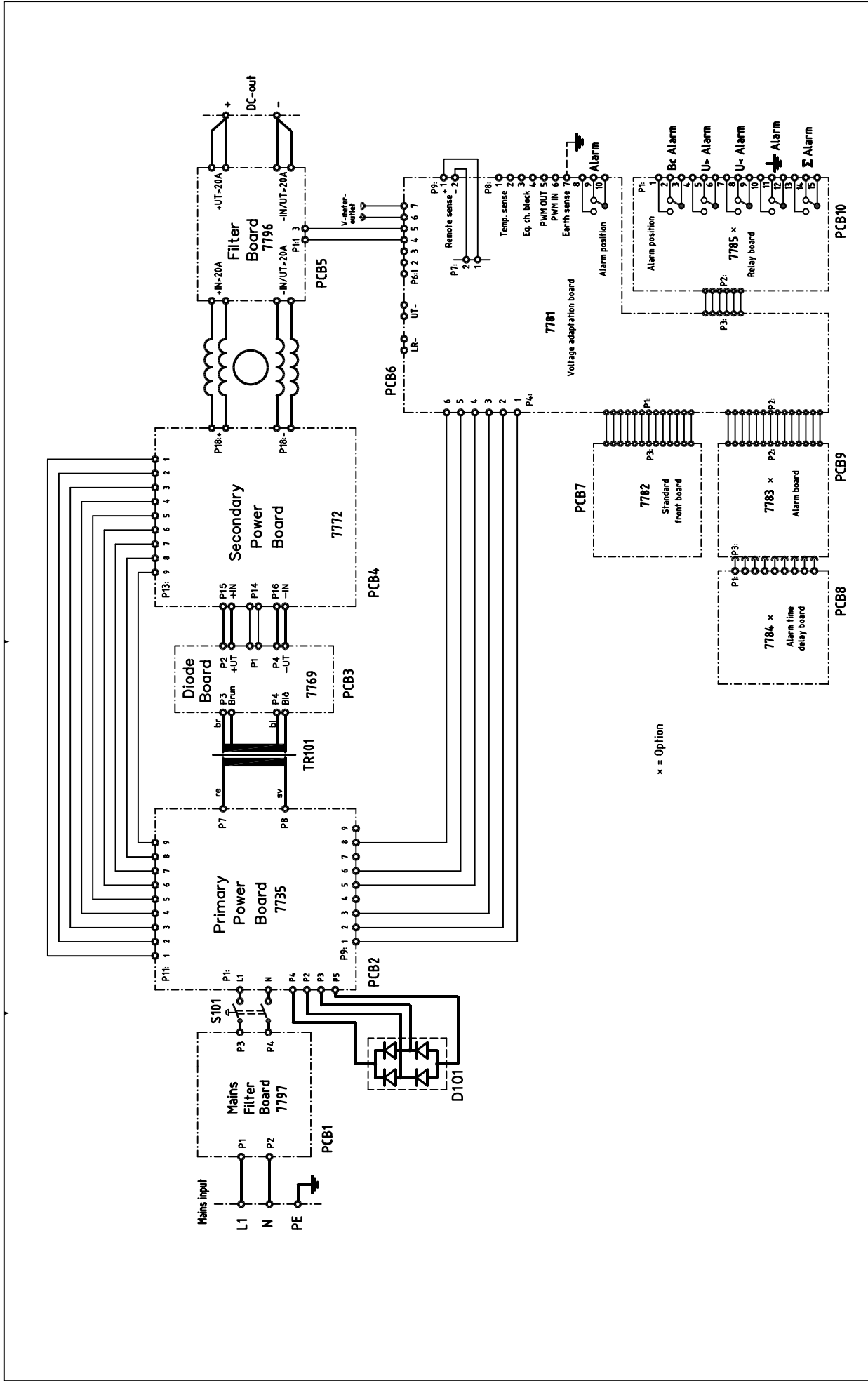
Nom. voltage (V)	Range of adjustment (V)	Nom. voltage (V)	Range of adjustment (V)
12	11.4-14.4	110	104.5-132.0
24	22.8-28.8	120	114.0-144.0
48	45.6-57.6	220	209.0-264.0
60	57.0-72.0		

Standard factory set values

Unom (V)	No. of lead-acid cells	Floating charge 2.28V/cell (V)	Equaliz. charge 2.35V/cell (V)	DC Over-volt. protection (V)
12	6	13.7	14.1	15.1
24	12	27.4	28.2	30.2
48	24	54.7	56.4	60.5
60	30	68.4	70.5	75.6
110	53	120.8	124.6	133.5
120	60	136.8	141.0	151.2
220	106	241.7	249.1	272.1

Standard factory set values on CL30 and CL40

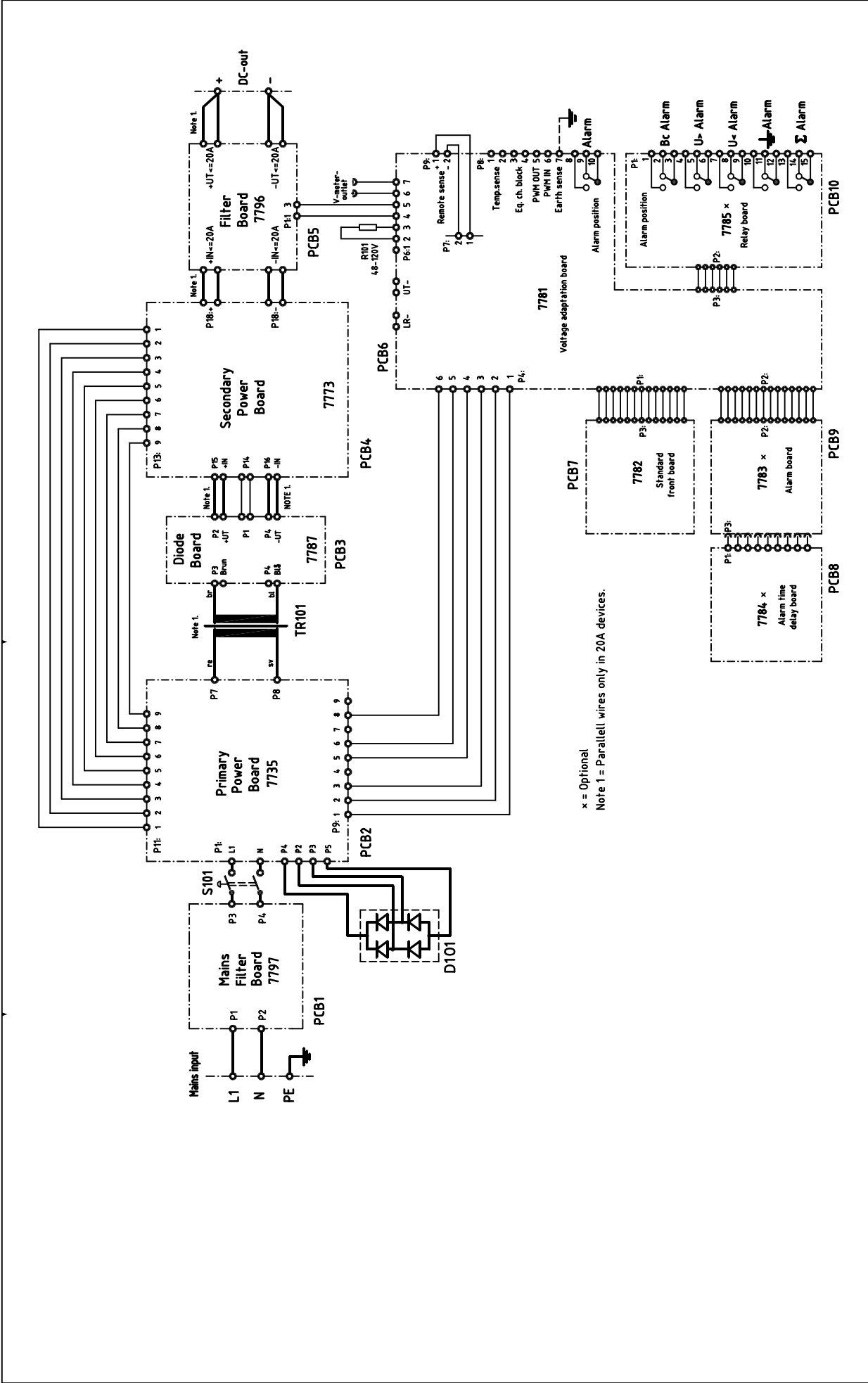
Alarm for charge level high (DC) 2.33V/cell (V)	Alarm for charge level low (DC) 95% of Unom (V)	Batt. circuit fault 1.96V/cell (V)	Earth fault (Ω)
14.0	11.4	11.8	0.5M
28.0	22.8	23.5	"
55.9	45.6	47.0	"
69.9	57.0	58.8	"
123.5	104.5	103.9	"
139.8	114.0	117.6	"
247.0	209.0	207.8	"



Dwg.-No		Pcs.		Denomination		Material		Dimension		Art.no	
960507		960815		ADC 1000W wall 12-24V. Schematic.		JH		Scale		Art.no 110 70	
Constr. by: Date:		Drawn by: Date:		Approved by:		Replaces		Tolerances		Replaced by	
960507		960815		JH		Rev. 2		Rev. 2		Replaced by	
Rev. No. 3		Rev. by: Date:		JH 000802		Rev. No. 3		Rev. by: Date:		JH 000802	
Drawing No. 3E 9354/1		Drawing No. 3E 9354/1		Drawing No. 3E 9354/1		Drawing No. 3E 9354/1		Drawing No. 3E 9354/1		Drawing No. 3E 9354/1	

No.	Pcs.	Revision and / or notification no.	Date	Inf.	Appr.

Dwg.-No		Pcs.		Denomination		Material		Dimension		Art.no	
960507		960815		ADC 1000W wall 12-24V. Schematic.		JH		Scale		Art.no 110 70	
Constr. by: Date:		Drawn by: Date:		Approved by:		Replaces		Tolerances		Replaced by	
960507		960815		JH		Rev. 2		Rev. 2		Replaced by	
Rev. No. 3		Rev. by: Date:		JH 000802		Rev. No. 3		Rev. by: Date:		JH 000802	
Drawing No. 3E 9354/1		Drawing No. 3E 9354/1		Drawing No. 3E 9354/1		Drawing No. 3E 9354/1		Drawing No. 3E 9354/1		Drawing No. 3E 9354/1	



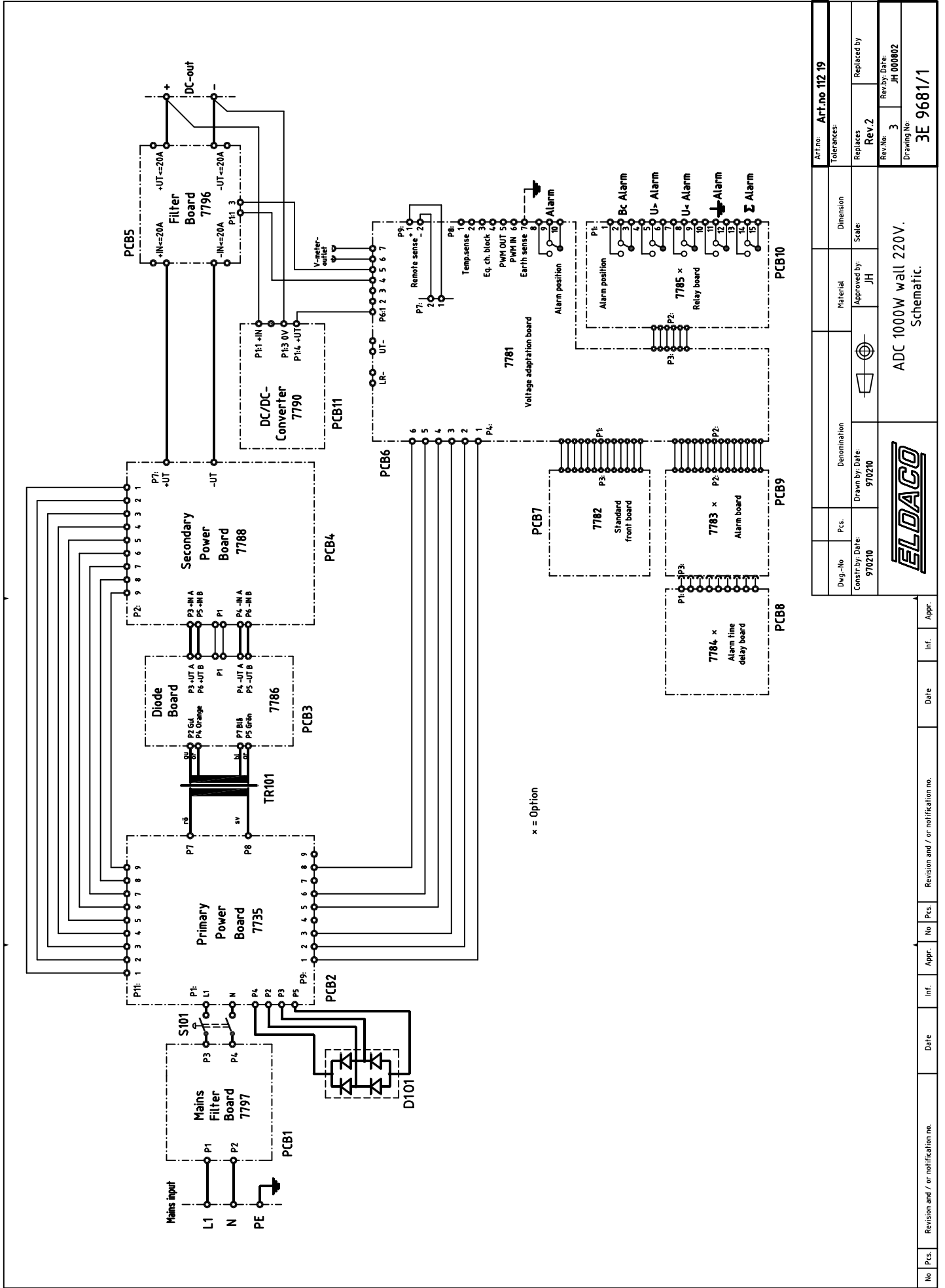
x = Optional
 Note 1 = Parallell wires only in 20A devices.

Dwg.-No		Pcs.		Denomination		Material		Dimension		Art.no	
960507				960815						Art.no 110 71	
Constr. by Date		Drawn by Date		Approved by		Scale		Replaces		Tolerances	
960507		960815		JH				Rev.2			
Rev.No		Rev. by Date		Drawing No.		Replaced by		Rev.No		Rev. by Date	
3		JH 000802		3E 9355/1		JH 000802		3		JH 000802	



ADC 1000W wall 48-120V.
 Schematic.

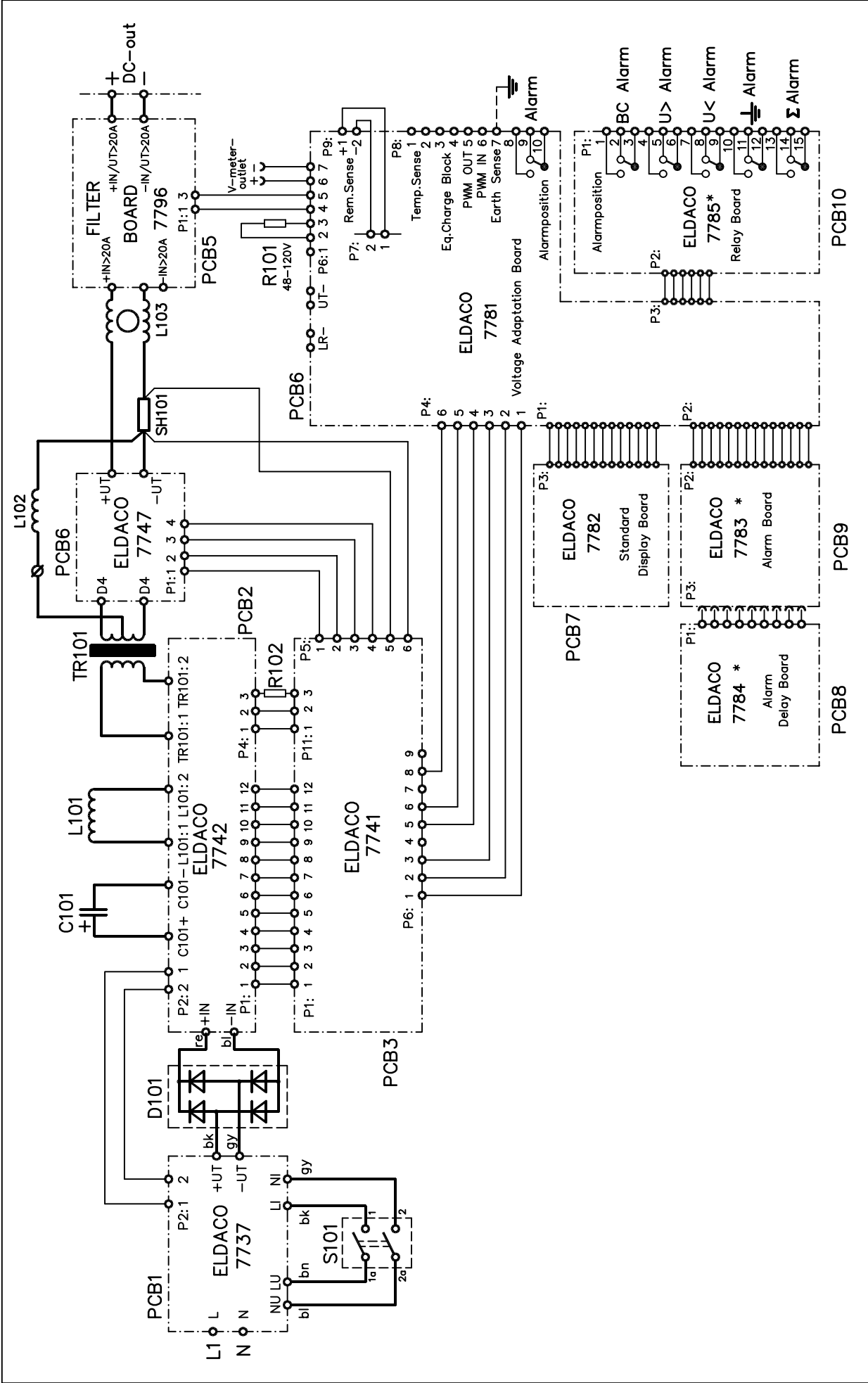
No	Pcs.	Revision and / or notification no.	Date	Inf.	Appr.	No	Pcs.	Revision and / or notification no.	Date	Inf.	Appr.
----	------	------------------------------------	------	------	-------	----	------	------------------------------------	------	------	-------



x = Option

Art.no. Art.no 112 19		Dimension	
Tolerances		Scale	
Replaces REV.2	Replaced by	Material	
Rev.No. 3	Rev.by: Date: JH 000802	Approved by: JH	
Drawing No. 3E 9681/1		Denomination	
ADC 1000W wall 220V. Schematic.		Drawn by: Date: 970210	
		Pcs.	
Constr.by: Date: 970210		Dwg.-No	

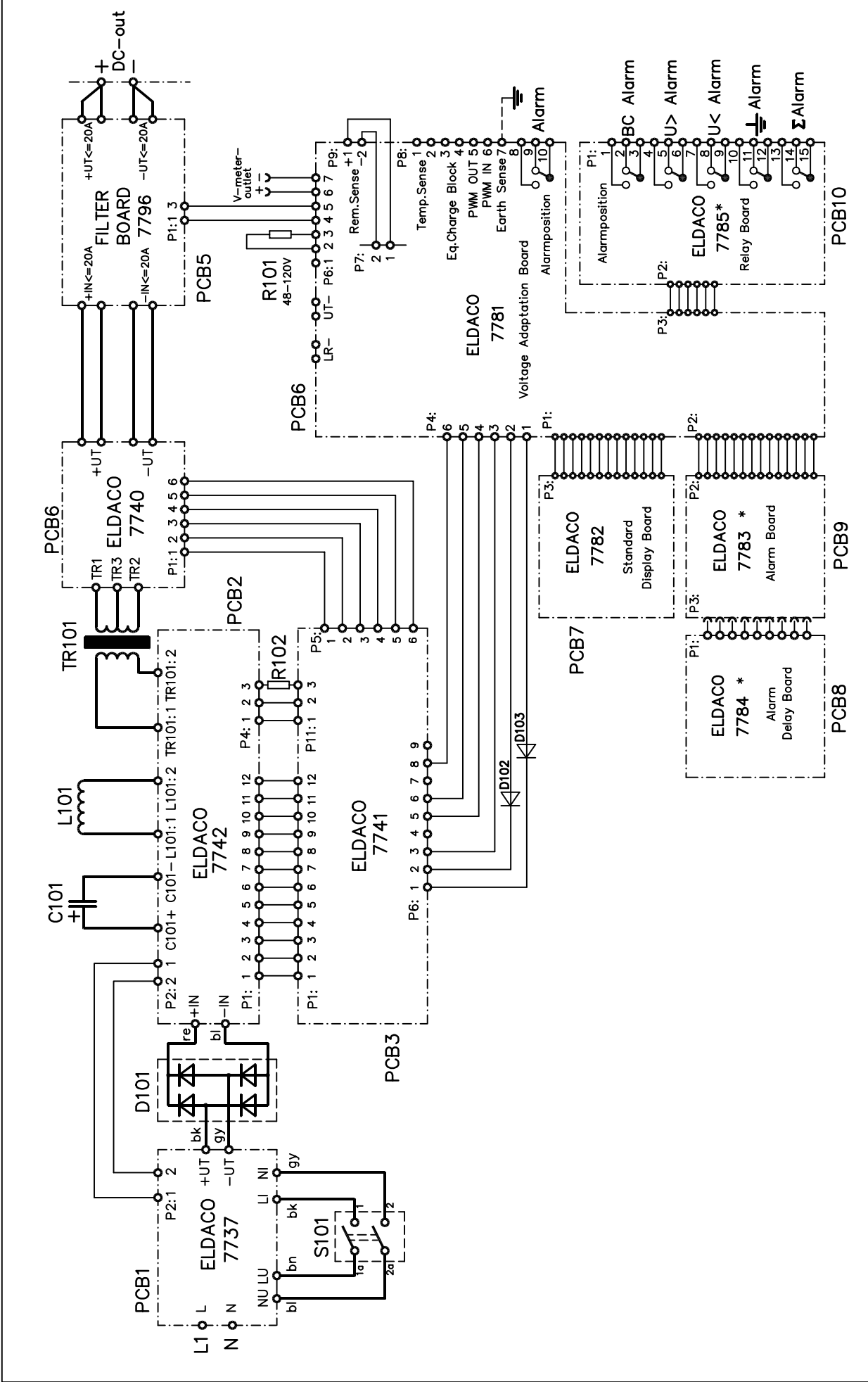
No	Pcs.	Revision and / or notification no.	Date	Appr.	Inf.	No	Pcs.	Revision and / or notification no.	Date	Appr.	Inf.
----	------	------------------------------------	------	-------	------	----	------	------------------------------------	------	-------	------



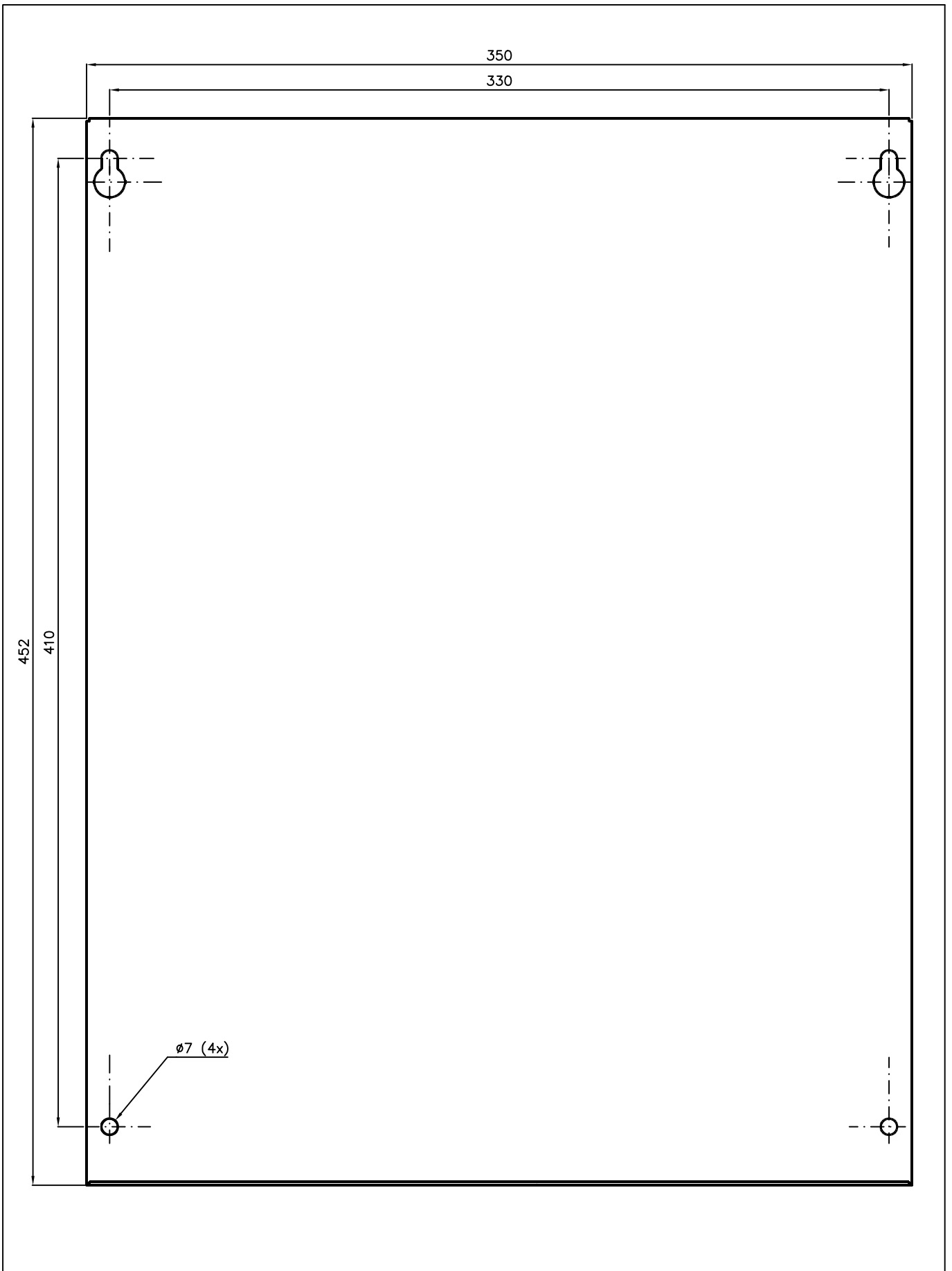
Dwg. No		Pcs.		Denomination		Material		Dimension		Art.no: 108 09	
Constr. by: AL 950927		Date: SH 950927		Drawn by: SH		Approved by: SH		Replaces: REV.1		Tolerances:	
Revision and / or notification no.		Date		Inf.		Appr.		Rev.No: 2		Replaced by	
Revision and / or notification no.		Date		Inf.		Appr.		Rev.No: 2		Rev. By: SH 000926	
Revision and / or notification no.		Date		Inf.		Appr.		Drawing No: 3E 8666			



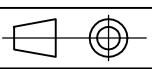


ADC 1600W Wall 12 - 48V.
Schematic.



No		Revision and / or notification no.		Date	Inf	Appr.	No	Pos	Revision and / or notification no.	Date	Inf	Appr.
* = Optional												
Dwg.—No		Pcs.		Denomination		Material		Dimension		Art.no: 10799		
Constr.by: Date		Drawn by: Date		Approved by: Scale:		SH		Replaces Rev.0		Tolerances:		
AL 950913		MA 950913		MA 950913		SH		ADC 1600W Wall 110V Schematic.		Rev.No: 1 Rev.By: Date: SH 000630		
										Drawing No: 3E 8629		



ELDACO AB, 08-6239500

						Art.No:		
Dwg.-No	Pcs.	Denomination		Material	Dimension	Tolerances:		
Constr.by: Date: M.A.970226		Drawn by: Date: M.A.970226			Approved by: M.A.	Scale:	Replaces	Replaced by
		MOUNTING DRAWING ADC 1000W/1600W			Rev.No: 	Rev.by: Date:		
					Drawing No: 4M 9701/1			